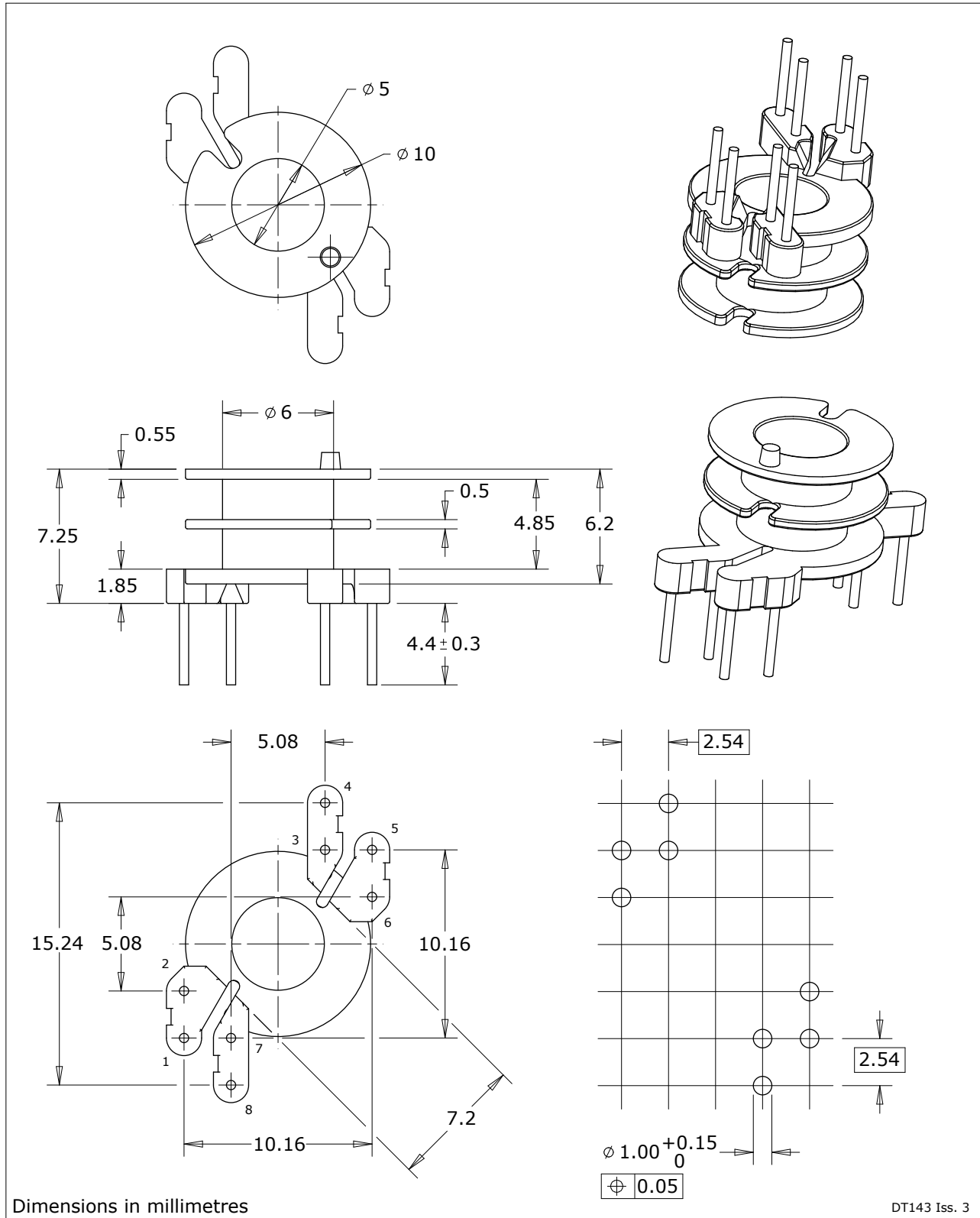


# RM5



| Coil Former                  |   |
|------------------------------|---|
| Coil former material         | Phenolformaldehyde (PF), glass reinforced, flame retardant in accordance with "UL 94V-0"; UL file number E41429 (M) |
| Resistance to soldering heat | "IEC 60068-2-20", Part 2, Test Tb, method 1B, 350 deg. C, 3.5 s   |
| Pin material                 | 0.50 Dia. copper clad steel wire (ASTM.B.227) - Tin (Sn) plated   |
| Solderability                | "IEC 60068-2-20", Part 2, Test Ta, method 1, 235 deg. C, 2 s  |
| Pin pull out force           | 0.7 Kg Minimum  |
| Part number                  | RM05V2S08IS-00  |

